

# Hand-held instrument

# PI 500

for industry



- ▶ Flow
- ▶ Pressure / Vacuum
- ▶ Temperature
- ▶ Moisture / Dew point
- ▶ Optional third-party sensors

# PI 500

## Hand-held instrument for industry

The new PI 500 is an all-purpose hand-held measuring instrument for many applications in industry like e. g.:

- ▶ Flow measurement
- ▶ Pressure/vacuum measurement
- ▶ Temperature measurement
- ▶ Moisture/dew point measurement

The graphic indication of coloured measurement curves is inimitably.

Up to 100 million measured values can be stored with date and name of measuring site. The measured values can be transferred to the computer by means of a USB stick.

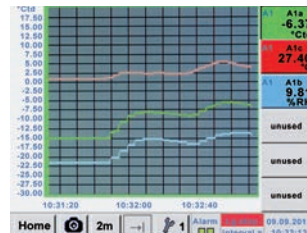
The data can be comfortably evaluated with the CS Soft Basic software. Measured data and service reports

can be issued easily and quickly. The following sensors can be connected to the freely configurable sensor input of PI 500:

- ▶ Pressure sensor (high and low pressure)
- ▶ Flow sensors, VA 400/420
- ▶ Temperature sensors Pt 100, Pt 1000 / 4...20 mA
- ▶ Dew point sensors FA 410/FA 415
- ▶ Effective power meters
- ▶ Optional third-party sensors with the following signals: 0...1/10 V, 0/4...20 mA, Pt 100, Pt 1000, pulse, Modbus

### Special features:

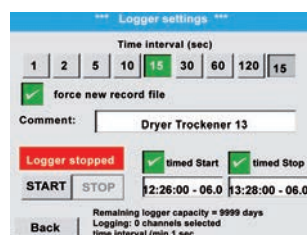
- ▶ Universal sensor input for lots of common sensor signals
- ▶ Internal rechargeable Li-Ion batteries (approx. 12h continuous operation)
- ▶ 3.5" graphic display / easy operation via touch screen
- ▶ Integrated data logger for storage of the measured values
- ▶ USB interface for reading out via USB stick
- ▶ International: Up to 8 languages selectable



Measurement curves are indicated graphically and thus the user can see at a glance the behaviour of the drier since the start of the measurement.



All physical parameters of moisture measurement are calculated automatically.



It is possible to store up to 100 million measured values. Each measurement can be stored with a comment, e.g. measuring site name. The time interval can be freely determined.

# PI 500

Flexible data recording and transfer via USB cable or USB stick



The stored measured data can be easily transferred to the computer via a USB stick or via a USB cable.

The time periods are freely selectable or you just read out the whole memory.

The data can be evaluated by means of the software CS Soft Basic in table and in graphic form.

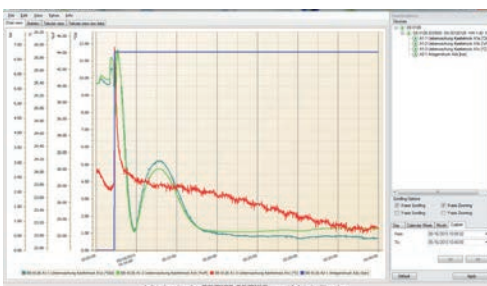
### World debut screenshot key

Ideal for documentation of the measured values/measurement curves on site. Coloured measurement curves can be sent by e-mail or integrated into a service report.

By means of the screenshot key the „current screen“ can be stored as an image file and printed out at the computer or edited without any additional software.

## Data evaluation in 5 languages by means of CS Soft Basic

Everything at a glance: Table, graph, statistics - at the touch of a button the user gets all necessary information.



### Graphic evaluation

All measurement curves are indicated in terms of colour. All necessary functions such as zoom, selection/deselection of single measurement curves, freely selectable time periods, scaling of the axis, selection of colours and so on are integrated:

This view can be stored as a pdf file and sent by e-mail. Different data can be consolidated to a common file.

Time	DE-0126 (D5500) A1-1 Überwachung Kaelterock A1a [°C]	DE-0126 (D5500) A1-2 Überwachung Kaelterock A1b [°F]	DE-0126 (D5500) A1-3 Überwachung Kaelterock A1c [°C]	DE-0126 (D5500) A2-1 Anlagendruck A2a [bar]
05/16/2013 10:07:20	10.1300	37.4600	25.7200	6.7700
05/16/2013 10:07:25	9.3700	38.4600	25.3050	6.7600
05/16/2013 10:07:30	11.2000	42.0000	25.0300	6.7600
05/16/2013 10:07:35	11.8500	42.7400	24.7300	6.7600
05/16/2013 10:07:40	11.6000	44.3200	24.5500	6.7600
05/16/2013 10:07:45	11.3350	43.6650	24.4050	6.7600
05/16/2013 10:07:50	10.9200	43.0000	24.3000	6.7600

### Table view

All measuring points are listed with exact time interval. The desired measuring channels with measuring site name can be selected via the diagram explorer.

### Statistics

All necessary statistic data are visible at a glance.

So the user can quickly see which minimum or maximum measured values occurred at which time and for how long.

Statistic Report

Timespan: 05/16/2013 10:05 - 05/16/2013 10:40

DE-0126

DE-0126 (D5500)	Unit	min	max	Start	End	Duration
A1-1 Überwachung Kaelterock A1a	°C	8.42	8.66	05/16/2013 10:05:18	11:49	05/16/2013 10:07:46
A1-2 Überwachung Kaelterock A1b	°F	25.24	25.48	05/16/2013 10:05:18	11:49	05/16/2013 10:07:46
A1-3 Überwachung Kaelterock A1c	°C	23.53	23.66	05/16/2013 10:05:18	11:49	05/16/2013 10:07:46
A2-1 Anlagendruck A2a	bar	6.739	6	05/16/2013 10:05:18	6.748	05/16/2013 10:07:46

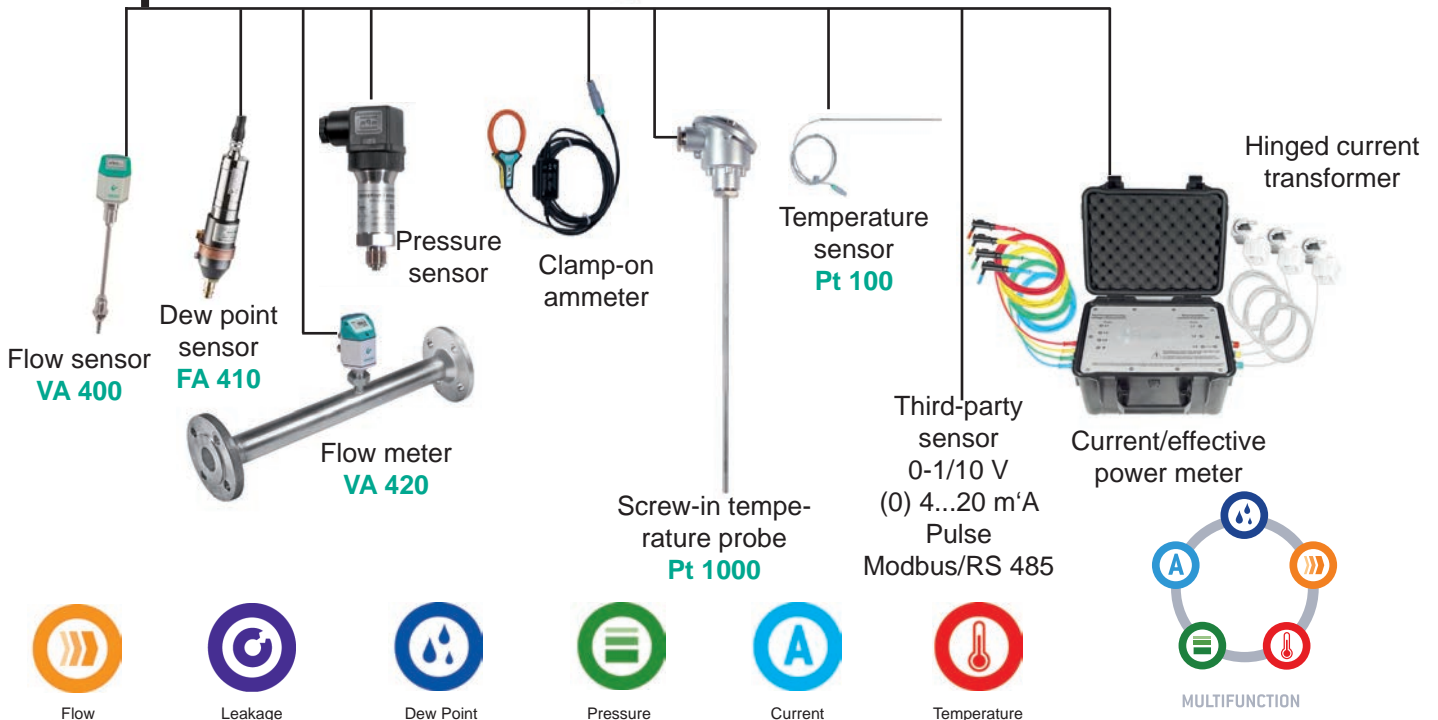


# PI 500

## Hand-held instrument with large range of sensors



Description	Order No.
PI500 portable measuring instrument with integrated data logger	0560 0511
Option for PI 500: "mathematics calculation function" for 4 freely selectable „virtual“ channels	Z500 5107
Option for PI 500: „Totalizer function for analogue signals“	Z500 5106
CS Soft Basic - data evaluation in graphic and table form - reading out of the measured data via USB	0554 7040
Transportation case	0554 6510





## Suitable sensors for **PI 500**

Flow sensors VA 400:	Order No.
Flow sensor VA 400-Max. Version (185 m/s) sensor length 220 mm, incl. 5 m cable to mobile instruments	0695 1122
Flow sensor VA 400 High-Speed Version (224 m/s), sensor length 220 mm, 5 m cable to mobile instruments	0695 1123
<b>Option for VA 400:</b>	
sensor length 120 mm	ZSL 0120
sensor length 160 mm	ZSL 0160
sensor length 300 mm	ZSL 0300
sensor length 400 mm	ZSL 0400
<b>Flow measuring range VA 420 for compressed air:(ISO 1217: 1000 mbar, 20°C)</b>	
Flow meter VA 420, 0,8... 90 l/min, (R1/4" DN 8)	0695 0420
Flow meter VA 420, 0,2... 90 m³/h, (R1/2" DN 15)	0695 0421
Flow meter VA 420, 0,3... 170 m³/h, (R3/4" DN 20)	0695 0422
Flow meter VA 420, 0,5... 290 m³/h, (R1" DN 25)	0695 0423
Flow meter VA 420, 0,7... 480 m³/h, (R1 1/4" DN 32)	0695 0426
Flow meter VA 420, 1,0... 550 m³/h, (R1 1/2" DN 40)	0695 0424
Flow meter VA 420, 2,0... 900 m³/h, (R2" DN 50)	0695 0425
<b>Dew point sensors:</b>	
FA 410 dew point sensor for mobile instruments, -80...+20°Ctd, incl. mobile measuring chamber, 5 m cable and perforated cap	0699 1411
FA 415 dew point sensor for mobile instruments, -20...+50°Ctd, incl. mobile measuring chamber, 5 m cable and perforated cap	0699 1415
Extension cable for mobile instruments ODU/ODU, 10m	0553 0504
<b>Calibration certificate for flow / dew point sensors:</b>	
5 point precision calibration with ISO certificate	3200 0001
Precision calibration at -40 °Ctd incl. ISO certificate	0699 3396
<b>Pressure sensors:</b>	
Standard pressure sensor CS 16 from 0...16 bar, ± 1 % accuracy of full scale	0694 1886
Standard pressure sensor CS 40 from 0...40 bar, ± 1 % accuracy of full scale	0694 0356
Standard pressure sensor CS 1.6 from 0...1.6 bar abs., ± 1 % accuracy of full scale	0694 3551
Standard pressure sensor CS 100 from 0...100 bar, ± 1 % accuracy of full scale	0694 3557
Standard pressure sensor CS 250 from 0...250 bar, ± 1 % accuracy of full scale	0694 3558
Standard pressure sensor CS 400 from 0...400 bar, ± 1 % accuracy of full scale.	0694 3559
Precision pressure sensor CS -1...+15 bar, ±0.5 % accuracy of full scale	0694 3553
Precision differential pressure sensor CS 400, 0...400 mbar differential pressure, 0.075% accuracy of full scale, static pressure max. 40 bar	0694 3560
Calibration of pressure sensor 5 points between 0 and 10/16 bar	3200 0004
<b>Temperature sensors:</b>	
Bendable temperature probe Pt100 Class B, length 300 mm ø 3 mm, -70...+500°C, 2 m probe connection cable glass fibre/stainless steel with ODU plug 8 pole for mobile instruments	0604 0106
Screw-in temperature probe Pt100 Class A, length: 300 mm with measuring transducer 4 to 20 mA = -50 to +500 °C ( 2-wire technology)	0693 0002
Temperature probe Pt100 Class A, length: 300 mm with 5 m connection cable with open ends	0604 0102
Mini temperature probe cable Pt100 Class A, length 25 mm, ø 4 mm 50°C to +180°C, 5 m probe connection cable with open ends	0604 0105
Compression fitting 6mm, G1/2", VA clamp ring	0554 6004
Temperature calibration certificate 2 measuring points	0520 0180



## Suitable sensors for PI 500

Connection cables for pressure sensors / temperature sensors:	Order No.	
Connection cable for pressure, temperature or external sensors on mobile instruments, ODU / open ends, 5 m	0553 0501	
Connection cable for pressure, temperature or external sensors on mobile instruments, ODU / open ends, 10 m	0553 0502	
Extension cable for mobile instruments, ODU / ODU, 10 m	0553 0504	
Clamp-on ammeters:		
Clamp-on ammeter 0...400 A TRMS incl. 5 m connection cable	0554 0511	
Clamp-on ammeter 0...1000 A TRMS incl. 5 m connection cable	0554 0508	
Calibration certificate for clamp-on ammeter	0554 3333	
Current/effective power meter up to 100 A	<b>0554 5341</b>	
Current/effective power meter up to 600 A	<b>0554 5342</b>	
<ul style="list-style-type: none"> <li>▶ Mobile current/effective power meter with 3 external current transducers for big machines and plants</li> <li>▶ External current transformers for clamping on cables (100 or 600 A)</li> <li>▶ External magnetic measuring tips for measuring the voltage</li> <li>▶ Measures kW, kWh, cos phi, kVar, kVA</li> <li>▶ Data transfer to PI 500 via Modbus</li> <li>▶ Incl. connection cable for mobile current/effective power meter to mobile instruments, 5 m</li> </ul>		
Optional third-party sensors connectable:		

Application: **Portable flow measurement** in production in front of machines and plants



## Set for dryer monitoring



°Ctd

bar

°C

1	PI500 portable measuring instrument with integrated data logger	0560 0511
2	FA 410 dew point sensor for mobile instruments, -80...+20°Ctd incl. mobile measuring chamber, 5 m cable	0699 1411
3	Standard Pressure sensor CS 16 from 0...16 bar, ± 1 % accuracy of full scale	0694 1886
4	Connection cable for pressure, temperature or external sensors to portable instruments, ODU / open ends, 5 m	0553 0501
5	Bendable temperature probe Pt100 Class B, length 300 mm, ø 3 mm, -70...+500°C, 2 m probe connection cable glass fibre/stainless steel with ODU plug 8 pole for portable instruments	0604 0106
6	CS Soft Basic - data evaluation in graphic and table form - reading out of the measured data via USB	0554 7040
7	Transportation case	0554 6510


## Set for portable flow measurement



m<sup>3</sup>/h

1	PI500 portable measuring instrument with integrated data logger	0560 0511
2	Flow meter VA 420, 0,3... 170 m <sup>3</sup> /h, (R3/4" DN 20)	0695 0422
3	Connection cable for VA/FA 400, 5 m	0553 0104
4	CS Soft Basic - data evaluation in graphic and table form - reading out of the measured data via USB	0554 7040
5	Transportation case	0554 6510

## Standard set compressed air

	<b>m<sup>3</sup>/h</b>
	<b>°Ctd</b>
	<b>bar</b>
	<b>°C</b>
<b>1</b> PI500 portable measuring instrument with integrated data logger	<b>0560 0511</b>
<b>2</b> Flow sensor VA 400-Max. Version (185 m/s) sensor length 220 mm, incl. 5 m cable to portable instruments	0695 1122
<b>3</b> FA 410 dew point sensor for mobile instruments, -80...+20°Ctd incl. mobile measuring chamber, 5 m cable	0699 1411
<b>4</b> Standard Pressure sensor CS 16 from 0...16 bar, ± 1 % accuracy of full scale	0694 1886
<b>5</b> Connection cable for pressure, temperature or external sensors to portable instruments, ODU / open ends, 5 m	0553 0501
<b>6</b> Bendable temperature probe Pt100 Class B, length 300 mm, ø 3 mm, -70...+500°C, 2 m probe connection cable glass fibre/stainless steel with ODU plug 8 pole for portable instruments	0604 0106
<b>7</b> CS Soft Basic - data evaluation in graphic and table form - reading out of the measured data via USB	0554 7040
<b>8</b> Transportation case	0554 6510

## Professional set compressed air

	<b>m<sup>3</sup>/h</b>
	<b>°Ctd</b>
	<b>bar</b>
	<b>°C</b>
	<b>A</b>
<b>1</b> PI500 portable measuring instrument with integrated data logger	<b>0560 0511</b>
<b>2</b> Flow sensor VA 400-Max. Version (185 m/s) sensor length 220 mm, incl. 5 m cable to portable instruments	0695 1122
<b>3</b> FA 410 dew point sensor for mobile instruments, -80...+20°Ctd incl. mobile measuring chamber, 5 m cable	0699 1411
<b>4</b> Standard Pressure sensor CS 16 from 0...16 bar, ± 1 % accuracy of full scale	0694 1886
<b>5</b> Connection cable for pressure, temperature or external sensors to portable instruments, ODU / open ends, 5 m	0553 0501
<b>6</b> Bendable temperature probe Pt100 Class B, length 300 mm, ø 3 mm, -70...+500°C, 2 m probe connection cable glass fibre/stainless steel with ODU plug 8 pole for portable instruments	0604 0106
<b>7</b> Clamp-on ammeter 0...400 A RMS 10-30 VDC for portable instruments, 3 m cable, ODU 8 pol.	0554 0511
<b>8</b> CS Soft Basic - data evaluation in graphic and table form - reading out of the measured data via USB	0554 7040
<b>9</b> Transportation case	0554 6510